

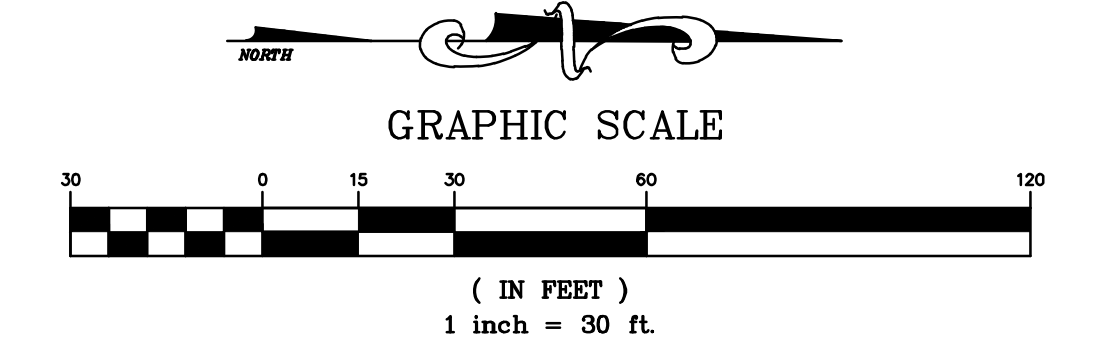
Item Description	Unit	Sht 33 Quantity
Post, Steel, 3 pound	Ft	380
Post, Wood, 4 inch by 6 inch	Ft	30
Sign, Type IIIA	Ea	15
Sign, Type IIIB	Ea	80
Reflective Panel for Permanent Sign Support, 6 foot	Ea	6
Installing City Supplied Signs, Type III	Ea	7
Pav't Mrkg, Ovly Cold Plastic, 12 inch, Crosswalk	Ft	385
Pav't Mrkg, Ovly Cold Plastic, 24 inch, Stop Bar	Ft	160
Pav't Mrkg, Ovly Cold Plastic, Railroad Sym	Ea	4
Pav't Mrkg, Ovly Cold Plastic, Lt Turn Arrow Sym	Ea	1
Pav't Mrkg, Ovly Cold Plastic, Rt Turn Arrow Sym	Ea	1
Pav't Mrkg, Waterborne, 4 inch, White	Ft	45
Pav't Mrkg, Waterborne, 4 inch, Yellow	Ft	2100
Recessing Pav't Mrkg, Longit	Ft	2100
Rem Curing Compound, for Longit Mrkg, 4 inch	Ft	2100
Rem Curing Compound, for Spec Mrkg	Sft	610

ESTIMATED SIGN TYPE IIIB QUANTITIES THIS SHEET

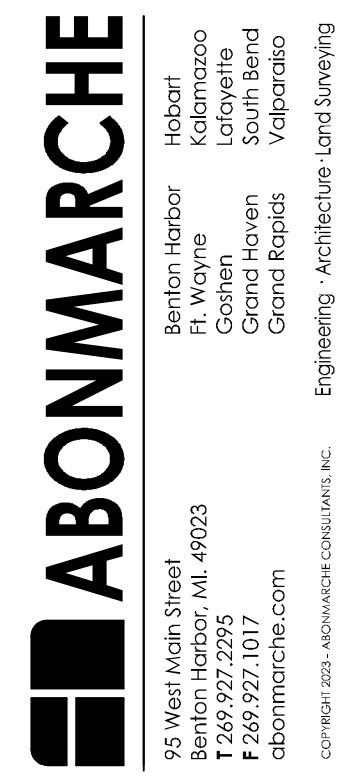
SYMBOL	LABEL	DIMENSION (FT)	AREA (SFT)	QUANTITY (EA)	QUANTITY (SFT)
R2-1	2.0' X 2.5'	5.00	1	5.0	
R8-3a	1.0' X 1.0'	1.00	10	10.0	
R15-1	4.0' X 0.75'	3.00	2	6.00	
WB-3	2.0' X 2.0'	4.00	1	4.0	
W10-1A	3.0'	7.00	2	3.60	
W10-1B	1.25'	1.30	2	10.0	
W14-2B	1.5' X 1.5'	2.25	1	2.25	
W11-2	2.5' X 2.5'	6.25	4	25.0	
W16-7P	2.0' X 1.0'	2.00	4	10.0	
CUST	2.0' X 2.0'	4.00	1	4.00	
TOTAL SIGNAGE (SFT)				79.85	

ESTIMATED SIGN TYPE IIIA QUANTITIES THIS SHEET

SYMBOL	LABEL	DIMENSION (FT)	AREA (SFT)	QUANTITY (EA)	QUANTITY (SFT)
R1-1A	2.5' X 2.5'	6.25	2	6.25	
R1-1B	2.0' X 2.0'	4.00	2	8.00	
TOTAL SIGNAGE (SFT)				14.25	



NO.	REVISION DESCRIPTION:	SPJ	DATE:
3	ISSUED FOR BIDS	SPJ	05/19/2023
2	FINAL PLAN SUBMITTAL	SPJ	04/10/2023
1	90% REVIEW SET	SPJ	02/13/2023
NO.	REVISION DESCRIPTION:	BY:	DATE:



CITY OF ST. JOSEPH
UPTON DRIVE
RECONSTRUCTION PROJECT

PAVEMENT MARKINGS
AND SIGNAGE - 1

PROJECT: CITY OF ST. JOSEPH UPTON DRIVE RECONSTRUCTION PROJECT

SHEET TITLE: PAVEMENT MARKINGS AND SIGNAGE - 1

DRAWN BY: DJL

DESIGNED BY: DWB/LRK

PM REVIEW: TRD

QA/QC REVIEW: SPJ

DATE: MAY 2023

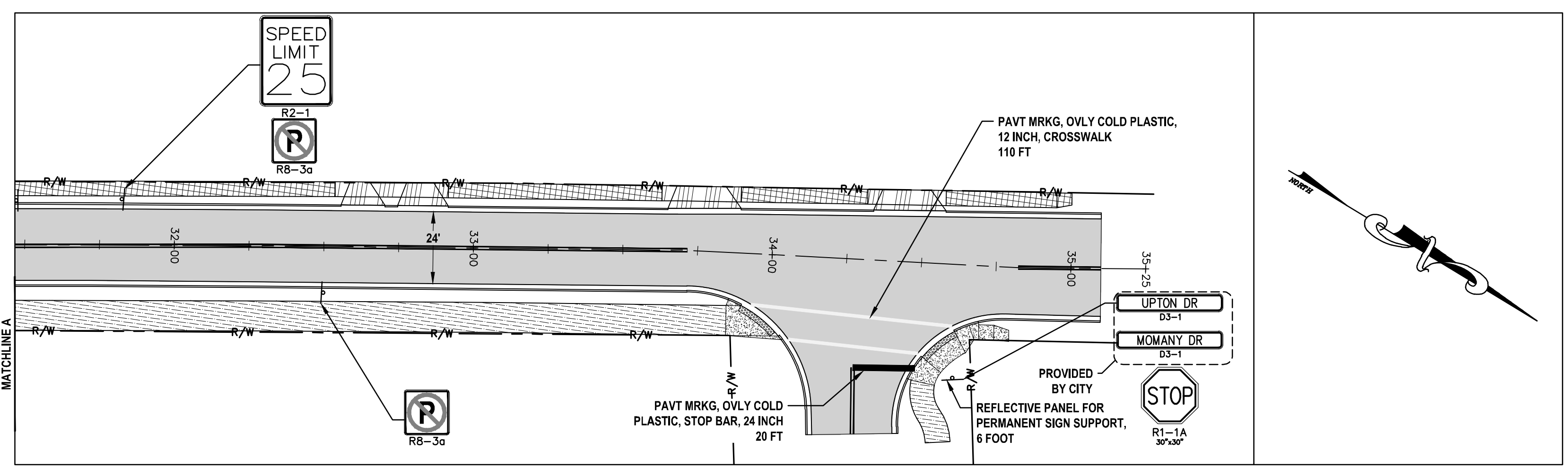
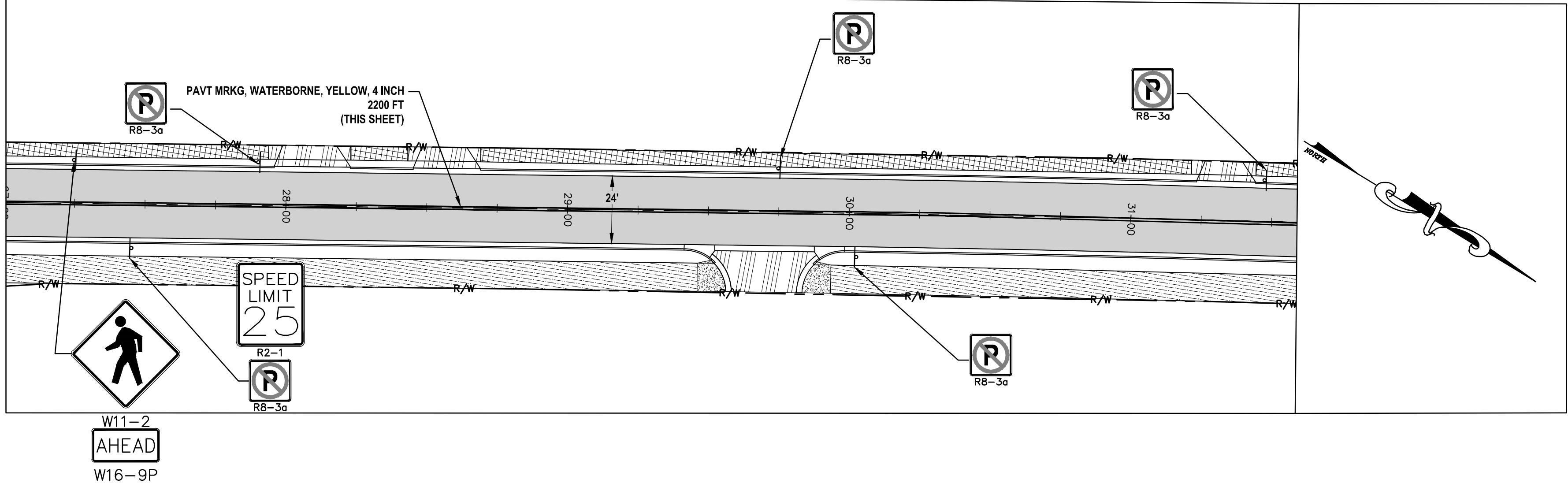
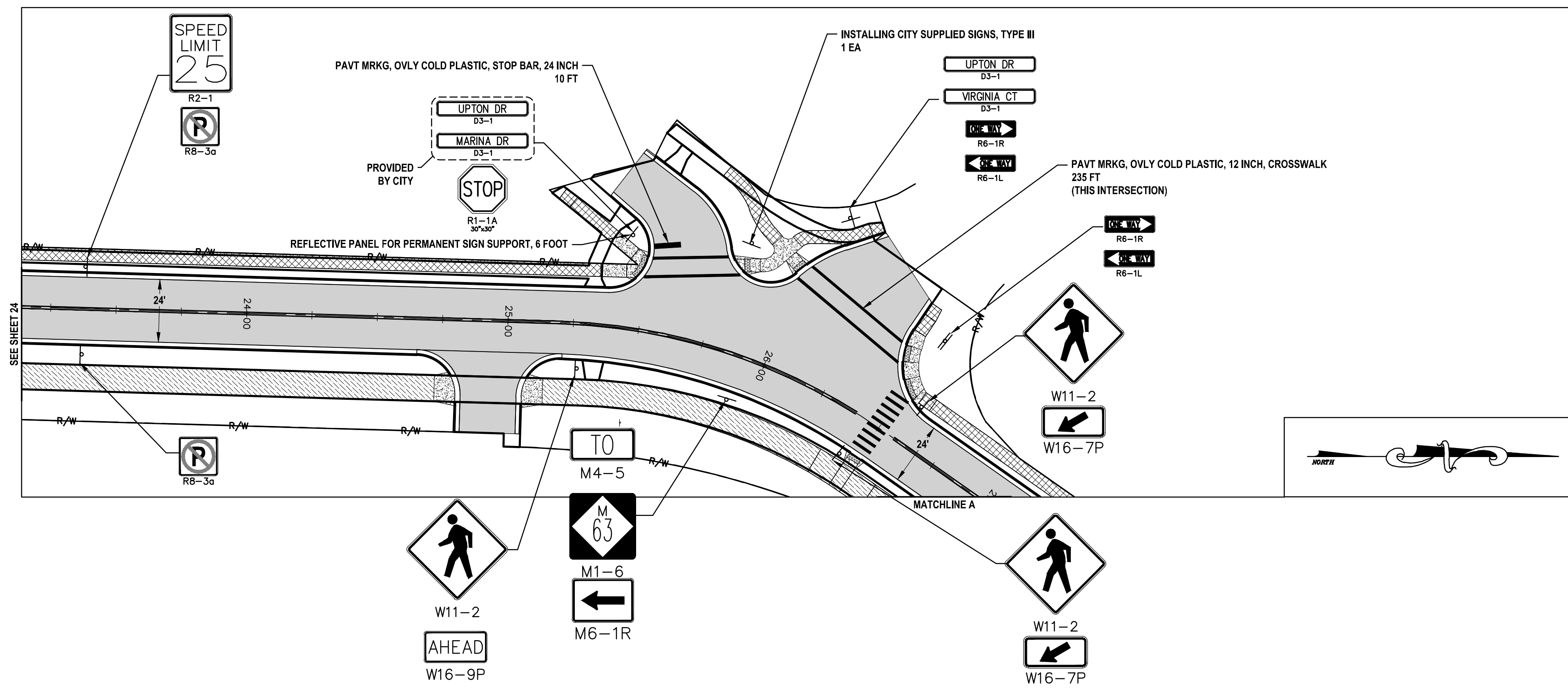
SCALE: HORIZ: 1"=30' VERT: N/A

ACI JOB #: 22-1671

SHEET NO. 33 of 44

Engineering - Architecture - Land Surveying

225 West Main Street
Brenton-Harbor, MA 01903
Tel: 508.927.2295
Fax: 508.927.2296
www.abonmache.com



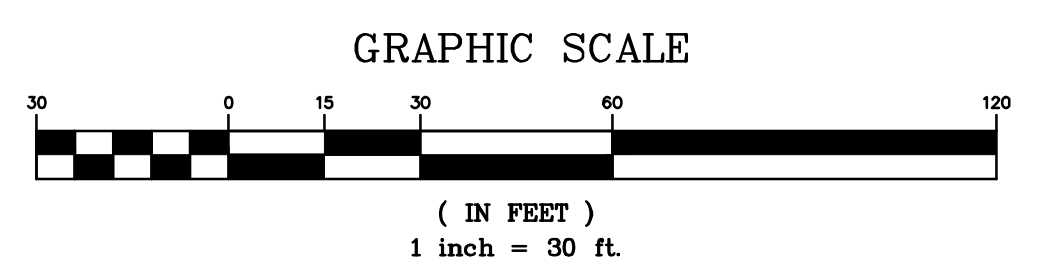
Item Description	Unit	Sht 34 Quantity
Post, Steel, 3 pound	Ft	285
Sign, Type IIIA	Ea	15
Sign, Type IIIB	Ea	80
Reflective Panel for Permanent Sign Support, 6 foot	Ea	2
Pavt Mrkg, Ovly Cold Plastic, 12 inch, Crosswalk	Ft	345
Pavt Mrkg, Ovly Cold Plastic, 24 inch, Stop Bar	Ft	30
Pavt Mrkg, Waterborne, 4 inch, Yellow	Ft	2200
Recessing Pavt Mrkg, Longit	Ft	2200
Recessing Pavt Mrkg, Guide Line	Ft	2200

ESTIMATED SIGN TYPE IIIB QUANTITIES THIS SHEET

SYMBOL	LABEL	DIMENSION (FT)	AREA (SFT)	QUANTITY (EA)	QUANTITY (SFT)
	M1-6	2.0' x 2.0'	4.00	1	4.0
	M4-5	2.0' x 1.0'	2.00	1	2.0
	M6-1R	1.75' x 1.25'	2.20	1	2.2
	R8-3a	1.0' x 1.0'	1.0	9	9.0
	R2-1	2.0' x 2.5'	5.0	3	15.0
	R6-1R	3.0' x 1.0'	3.0	2	6.0
	R6-1L	3.0' x 1.0'	3.0	2	6.0
	W11-2	2.5' x 2.5'	6.25	4	25.0
	W16-7P	2.0' x 1.0'	2.00	2	4.0
	W16-9P	2.0' x 1.0'	2.00	2	4.0
TOTAL SIGNAGE (SFT)					77.20

ESTIMATED SIGN TYPE IIIA QUANTITIES THIS SHEET

SYMBOL	LABEL	DIMENSION (FT)	AREA (SFT)	QUANTITY (EA)	QUANTITY (SFT)
	R1-1	2.5' x 2.5'	6.25	2	12.5
TOTAL SIGNAGE (SFT)					12.50



NO.	REVISION DESCRIPTION:	BY:	DATE:
3	ISSUED FOR BIDS	SPJ	05/19/2023
2	FINAL PLAN SUBMITTAL	SPJ	04/10/2023
1	90% REVIEW SET	SPJ	02/13/2023

ABONMARCHÉ
 795 West Main Street
 Benton Harbor, MI 49023
 T 269.927.2295
 F 269.927.2296
 abonmarche.com
 Copyright © 2023, ABONMARCHÉ CONSULTANTS, INC.
 Engineering - Architecture - Land Surveying

**CITY OF ST. JOSEPH
 UPTON DRIVE
 RECONSTRUCTION PROJECT**

**PAVEMENT MARKINGS
 AND SIGNAGE - 2**

SHEET TITLE:
 DRAWN BY: DJL
 DESIGNED BY: DWB/LRK
 PM REVIEW: TRD
 QA/QC REVIEW: SPJ
 DATE: MAY 2023
 SEAL:

SIGNATURE:
 DATE:
 SCALE:
 HORIZ: 1"=30'
 VERT: N/A
 ACI JOB #
22-1671

SHEET NO.
34 of 44

C:\projects\2023\22-1671_City of St. Joseph - Upton Drive Reconstruction\ACI - Civil\Drawings\22-1671_PAVT MRKG AND SIGNAGE.dwg, PLOT, 11