

SECOND FLOOR PLAN
SCALE: 1/8" = 1'-0"

PARTITION KEY

	CMU, INSULATION W/ AIR SPACE & BRICK
	CMU WALL
	CONCRETE WALL
	METAL STUD W/ GYP. BD. ONE SIDE w/ BATT INSULATION
	CMU OR CONCRETE w/ 7/8" HAT CHANNELS @ 24" O.C. w/ 5/8" GYP. BD.
	CMU OR CONCRETE w/ 2" Z" CHANNELS @ 24" O.C. w/ 5/8" GYP. BD.
	METAL STUD W/ GYP. BD. BOTH SIDES

GENERAL NOTES

1. ALL INTERIOR PARTITIONS ARE 5" NOMINAL UNLESS NOTED OTHERWISE.

OCT. 14, 1996
 95102\A103
 SURTIO
 NONE
 1/8"

SECOND FLOOR PLAN
ST. JOSEPH CITY HALL
 CITY OF ST. JOSEPH

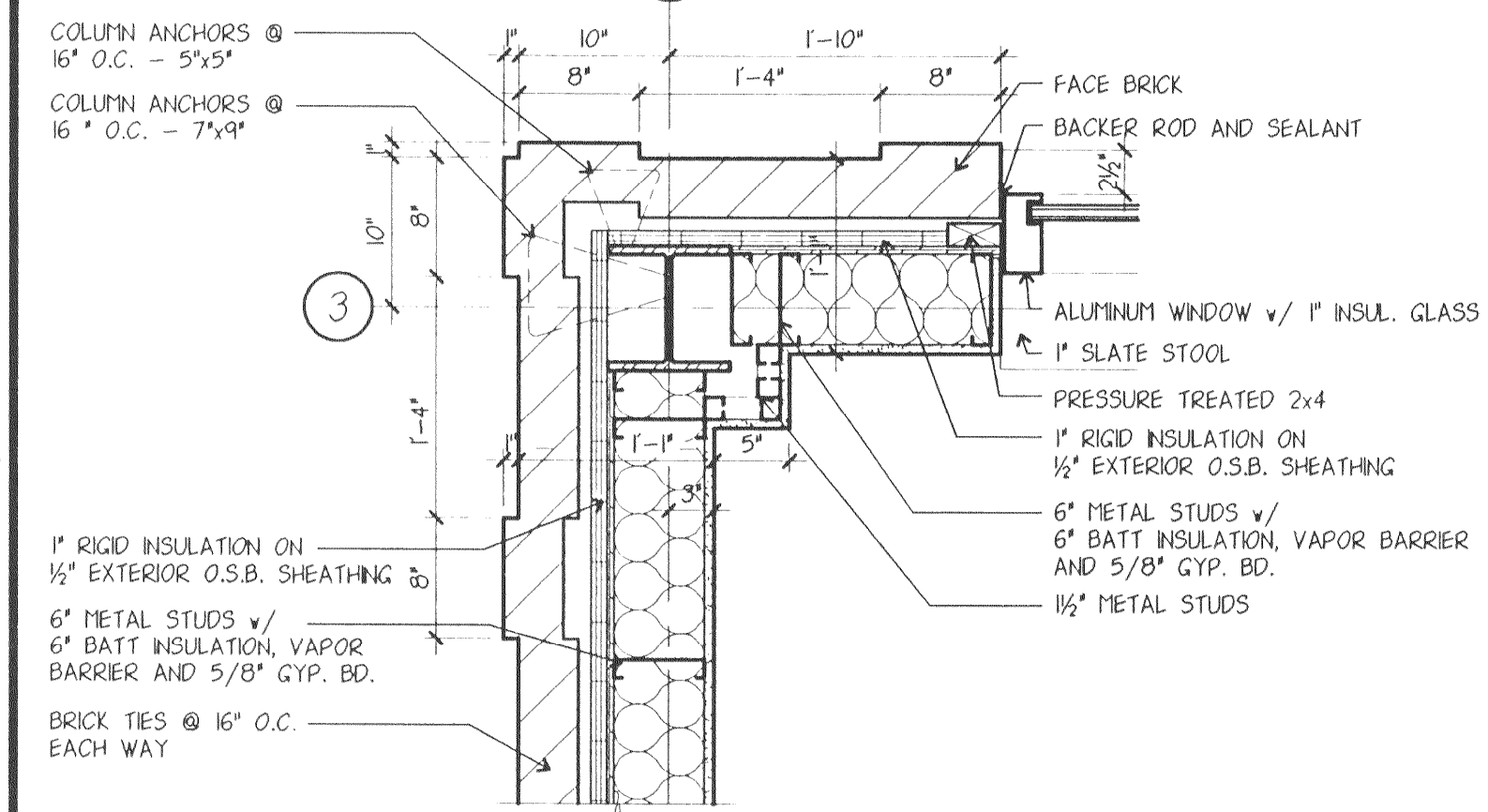
ARCHITECT
 WAYNE G. HATFIELD & ASSOCIATES
 ARCHITECTS
 301 STATE STREET
 ST. JOSEPH, MI 49785

CONSULTANT
 Tower
 Pinkster
 Titus
 Architecture
 Engineering
 Interior Design

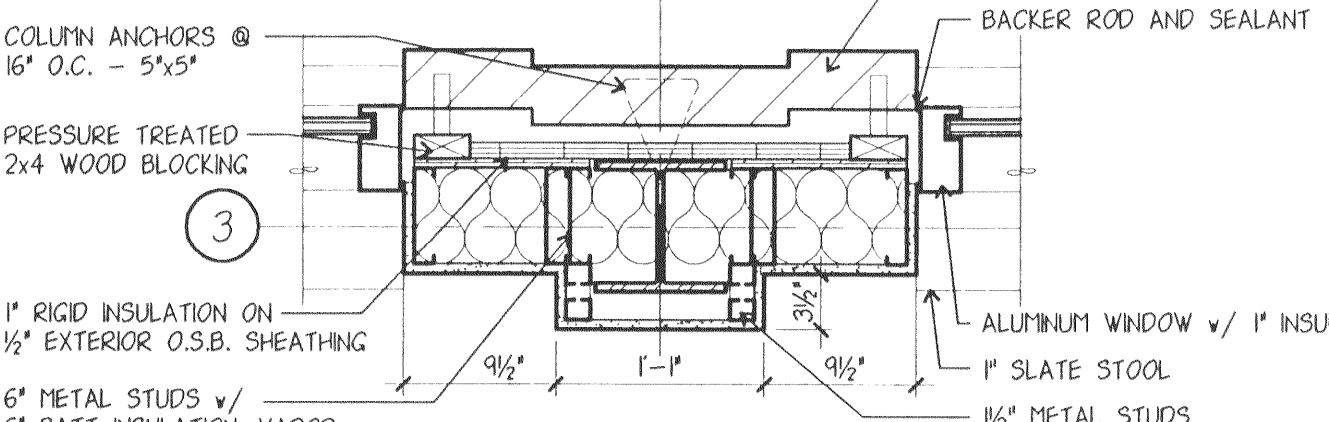
1000 South Burdick
 P.O. Box 5058
 Kalamazoo, Michigan
 49003-3508
 (616) 343-6133
 Fax (616) 343-6633

678 Front Street, NW
 Suite 255
 Grand Rapids, Michigan
 49504-3323
 (616) 456-9944
 Fax (616) 456-5936

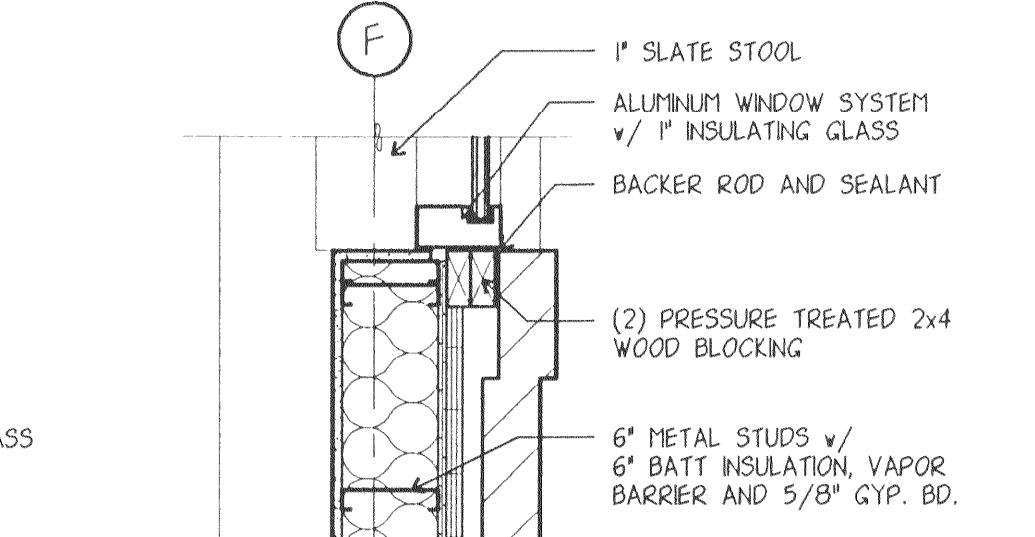
4625 Heckley Road
 Building 400
 Battle Creek, Michigan
 49017-7945
 (616) 979-1272
 Fax (616) 979-3363



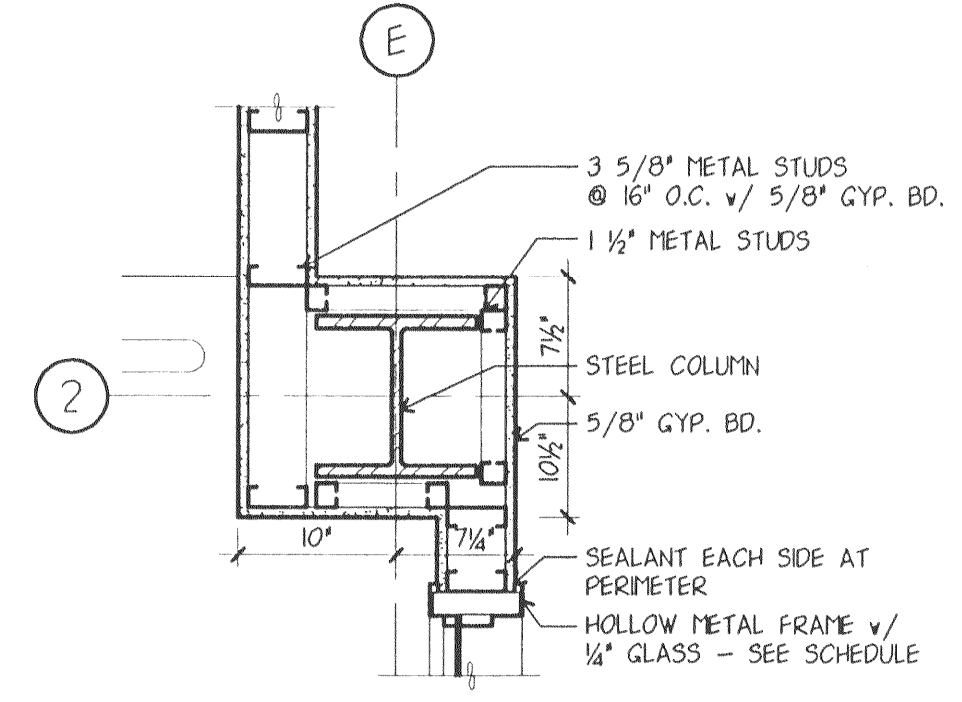
1 PLAN DETAIL
SCALE: 1" = 1'-0"



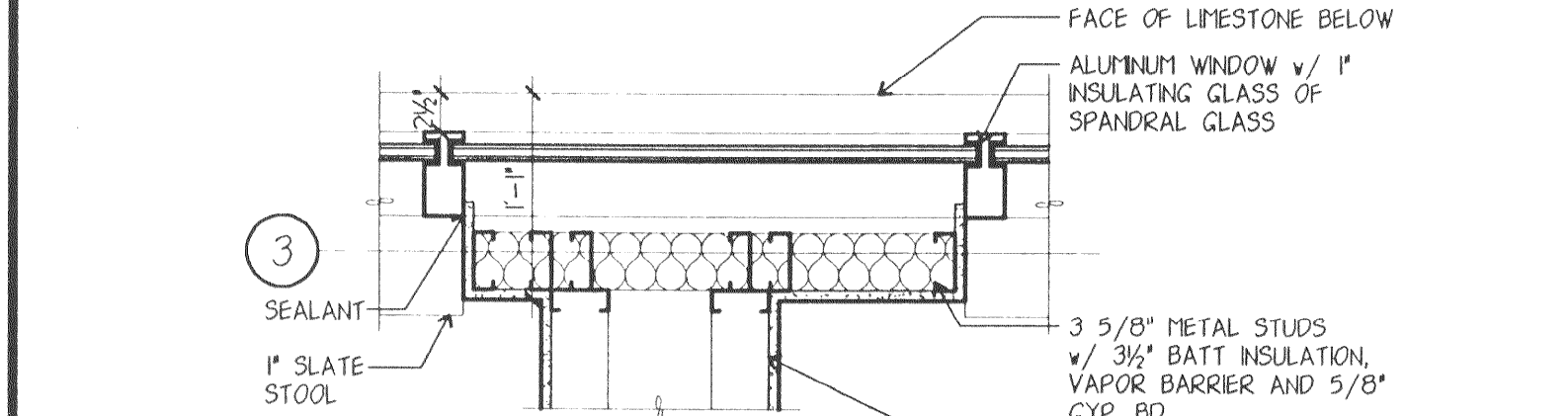
3 PLAN DETAIL
SCALE: 1" = 1'-0"



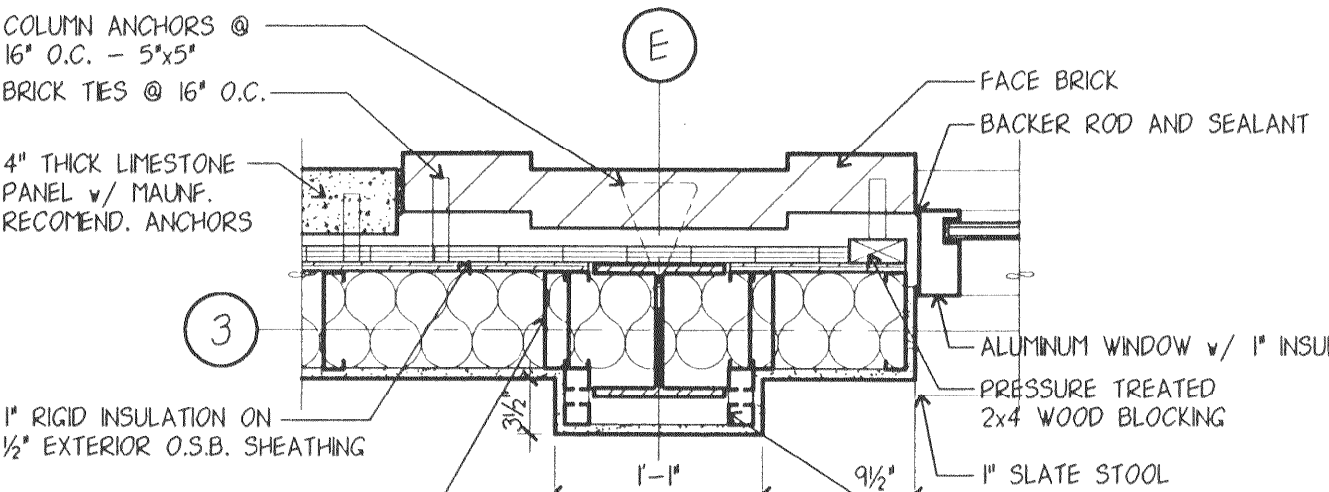
5 PLAN DETAIL
SCALE: 1" = 1'-0"



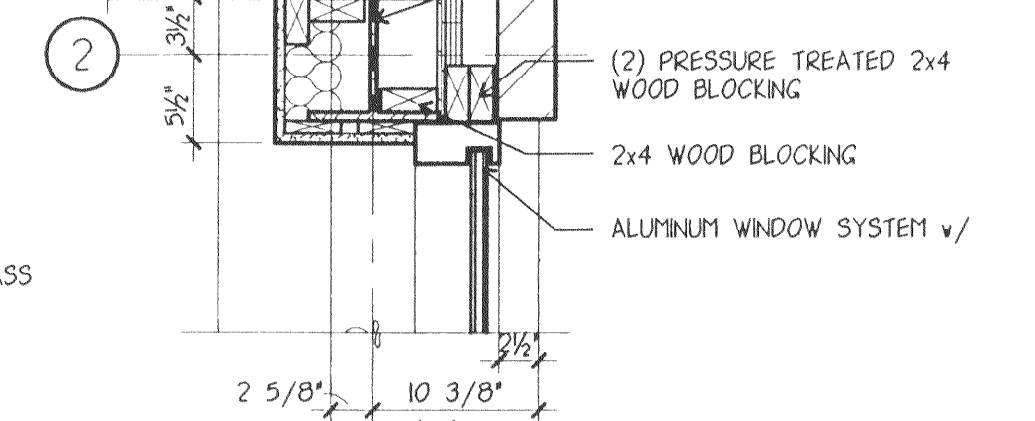
6 PLAN DETAIL
SCALE: 1" = 1'-0"



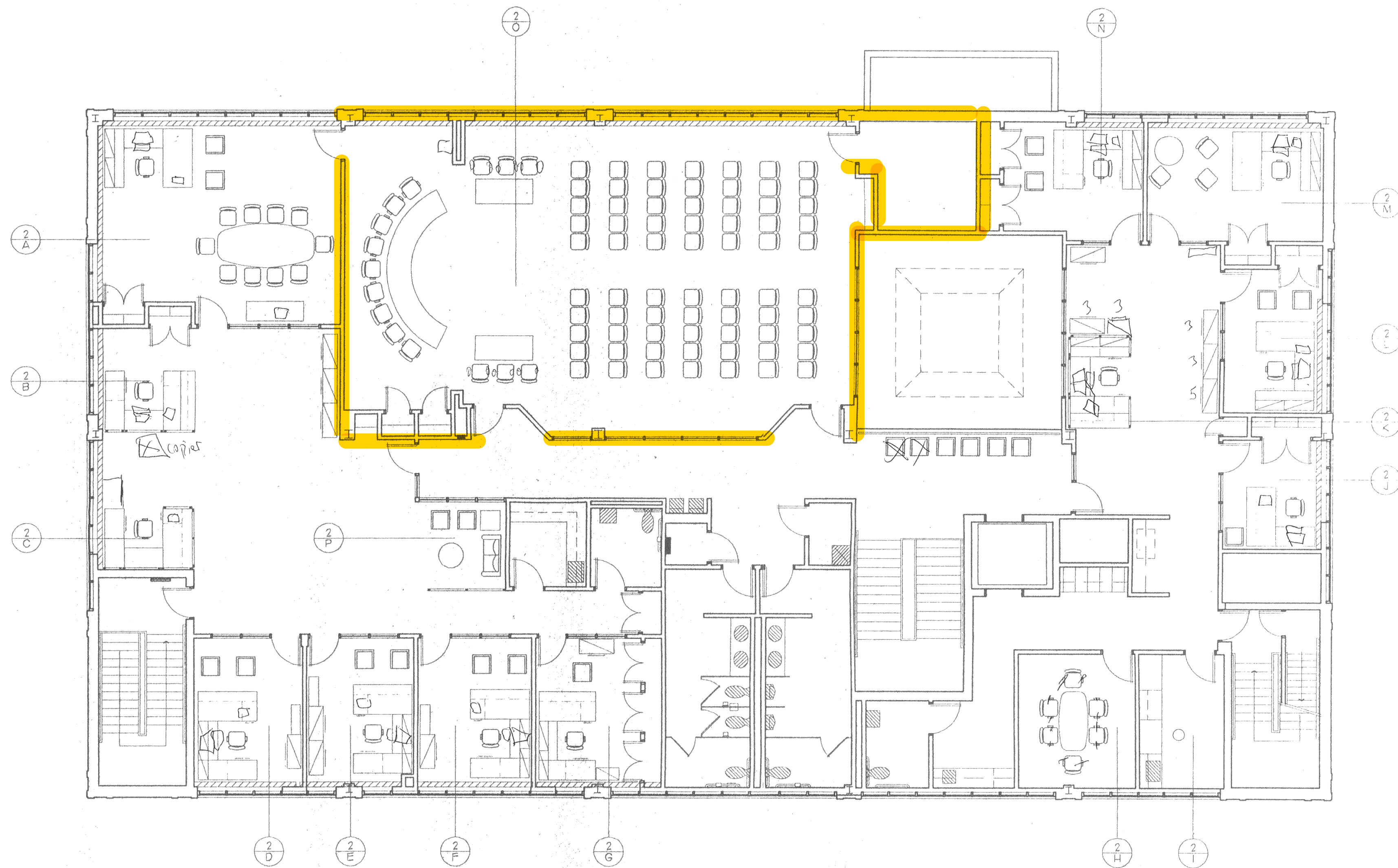
2 PLAN DETAIL
SCALE: 1" = 1'-0"



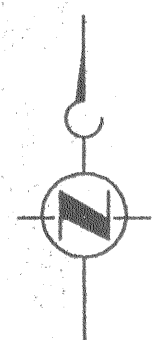
4 PLAN DETAIL
SCALE: 1" = 1'-0"

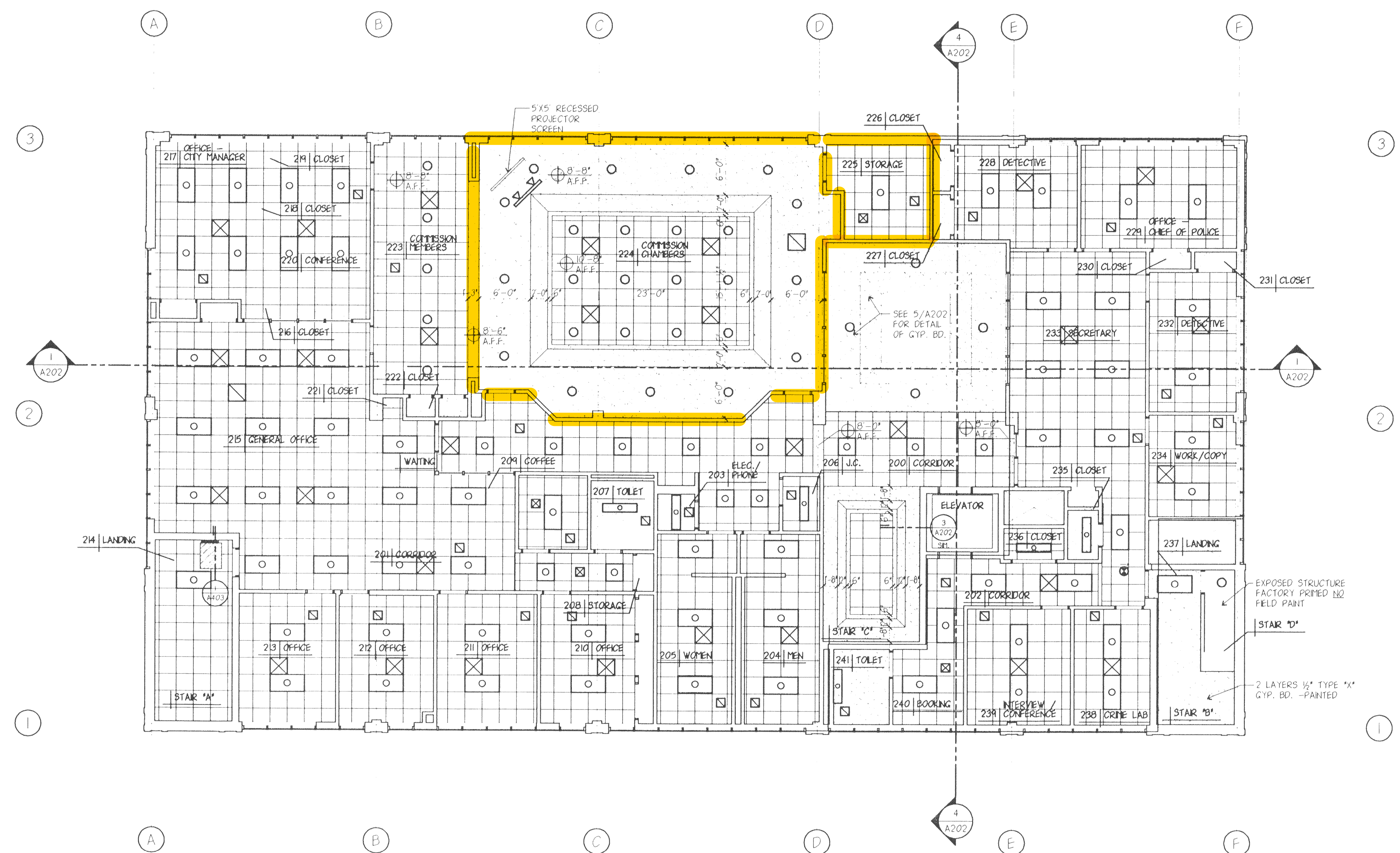


7 PLAN DETAIL
SCALE: 1" = 1'-0"



SECOND FLOOR
SCALE: 1/8" = 1'-0"

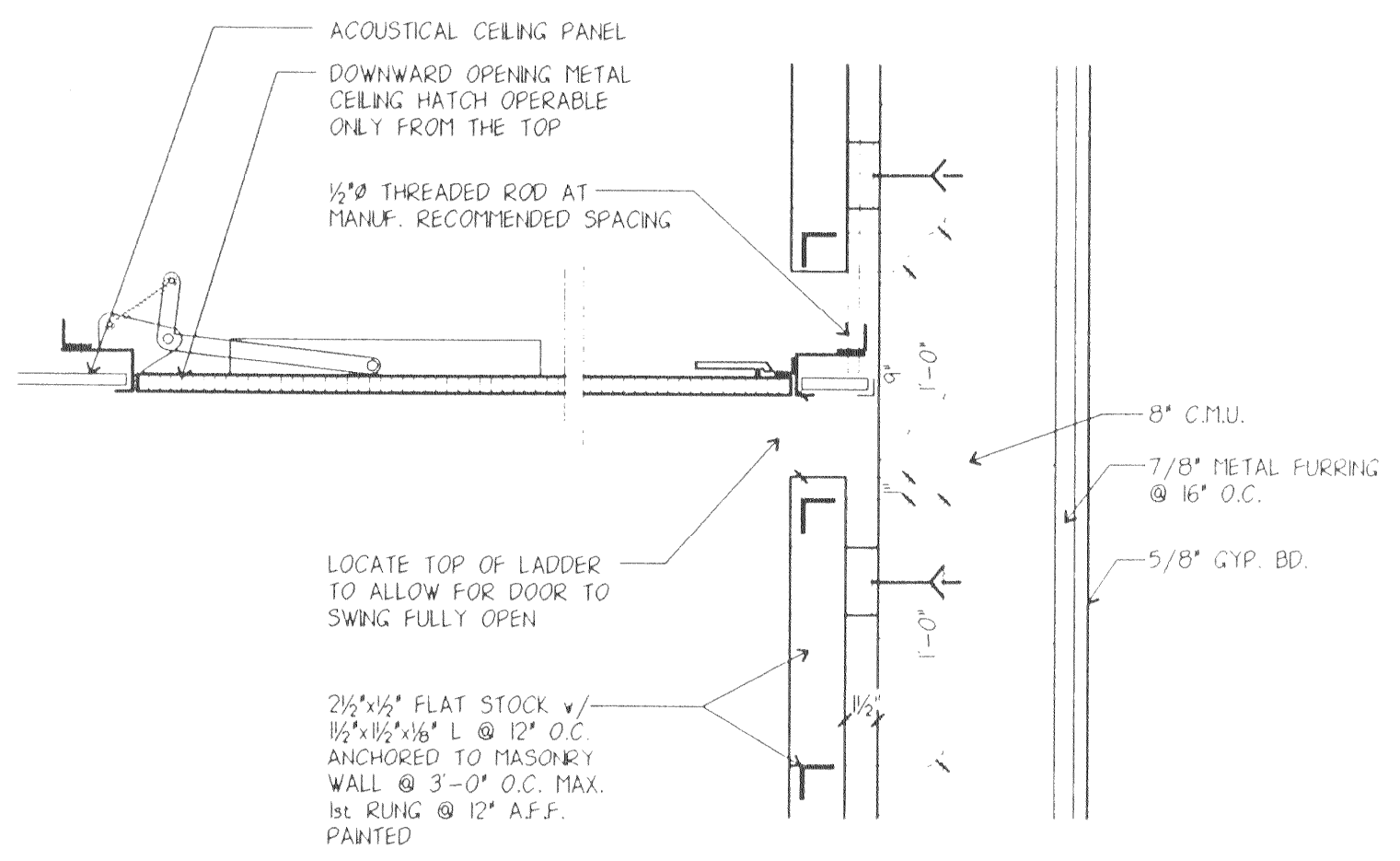




REFLECTED CEILING KEY

	LAY-IN ACOUSTICAL TILE GRID
	DRYWALL
	VOIDS FOR LIGHTING, SEE SHEET E203
	VOIDS FOR MECHANICAL, SEE SHEET M103

SECOND FLOOR REFLECTED CEILING PLAN
SCALE: 1/8" = 1'-0"



CEILING HATCH AND LADDER
SCALE: 1 1/2" = 1'-0"

DATE: OCT. 14, 1992
PROJECT: 95102/AS/047
SHEET: 203
SCALE: 1/8" = 1'-0"
DRAWN BY: [Signature]

SECOND FLOOR REFLECTED CEILING PLAN
ST. JOSEPH CITY HALL
CITY OF ST. JOSEPH
ST. JOSEPH, MICHIGAN

ARCHITECT
WAYNE G. HATFIELD & ASSOCIATES ARCHITECTS
301 STATE STREET
ST. JOSEPH, MI 49085

481 953 6390 FAX 483 6387

CONSULTANT

Tower Pinkster Titus

Architecture
Engineering
Interior Design

1080 South Durand
P.O. Box 3518
Ann Arbor, MI 48106
48103 3518
Tel: 313-963-1313
Fax: 313-963-1313

478 East Street, 200
Suite 253
Grand Rapids, Michigan
49504-3224
Tel: 616-455-9944
Fax: 616-455-5326

4625 Rocking Stone
Building 404
Little Creek, Michigan
49427-7945
Tel: 616-979-2272
Fax: 616-979-1363